

MB HARVESTER

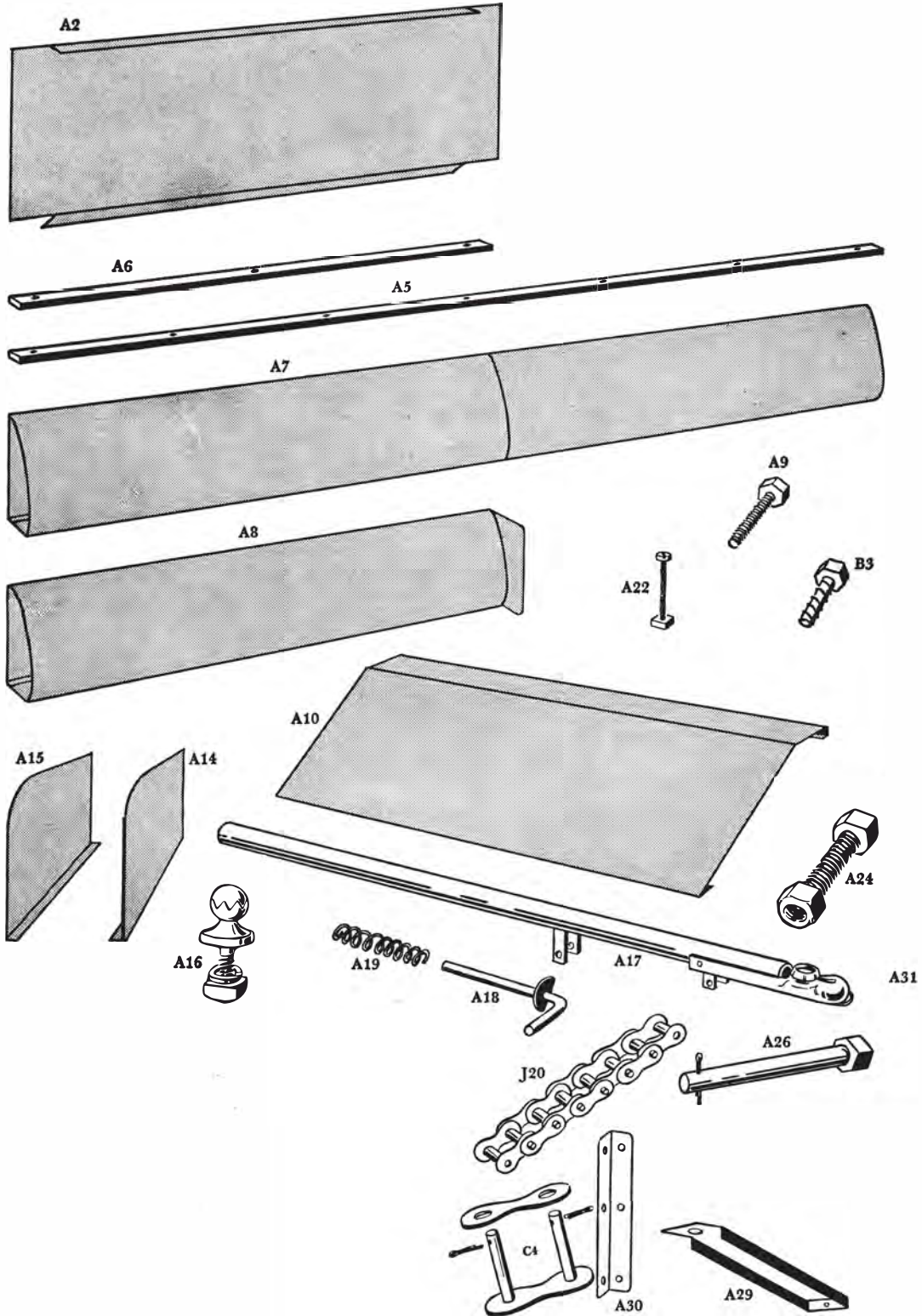
Manufactured By:



1110 Clyde Marengo Road
Clyde, NY 14433

Sales & Service: 315-521-1518
Parts: 315-923-9118

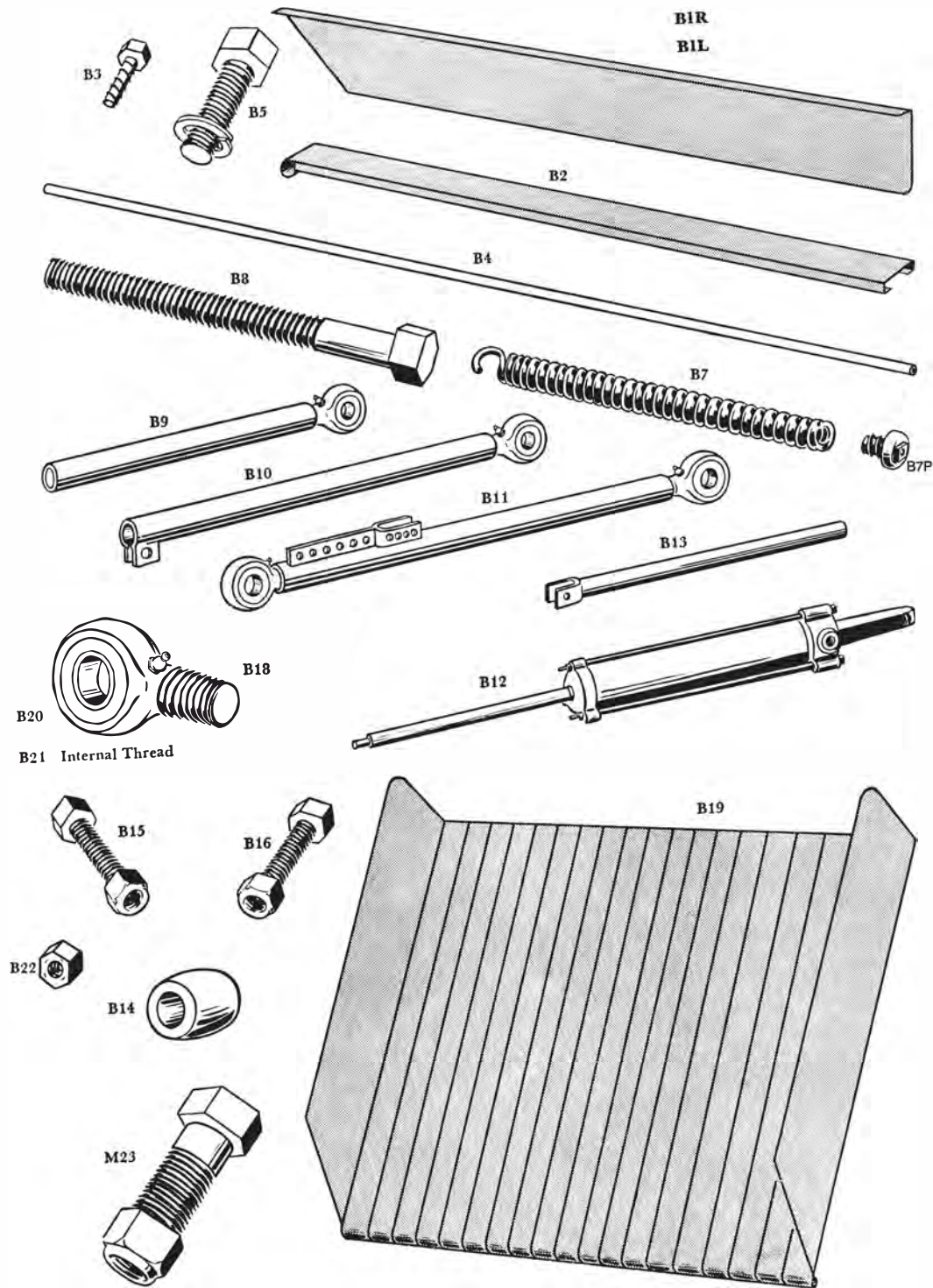
FRAME - SHIELDS - RAMP SUPPORT - TONGUE



FRAME, SHIELDS, RAMP SUPPORT, TONGUE, ETC.

Part#	Description	Qty
A2	WINCH SHIELD	1
A5	REAR CONVEYOR SHIELD FASTENING STRIP	1
A6	FRONT CONVEYOR SHIELD FASTENING STRIP	1
A7	REAR CONVEYOR SHIELD 2 PIECE	1
A8	FRONT CONVEYOR SHIELD FASTENING STRIP	1
A9	5/16" NC X 1-1/4" HHCS	13
A10	REAR RAMP SUPPORT	1
A14	RIGHT RAMP SUPPORT SHIELD	1
A15	LEFT RAMP SUPPORT SHIELD	1
A16	TRAILER HITCH BALL	1
A17	TONGUE COMPLETE	1
A18	TONGUE LATCH	
A19	TONGUE LATCH SPRING	1
A22	1/4" RD HEAD X 1-3/4" SPCR BLOCK STOVE BOLTS	8
J20	66" (88 LINKS) RC60 ROLER CHAIN	1
A24	1/2" X 2-1/4" NV HHCS	1
B3	NO. 14 X 3/8" HEX HEAD SELF TAPPING SHEET METAL SCREWS	16
A29	REAR RAMP SUPPORT CENTER BRACE	1
A30	ANGLE BRACE FROM CONVEYOR SHIELD TO WINCH SHIELD	1
A31	HITCH ONLY COMPLETE	1
C4	RC60 CONN. LINK	1

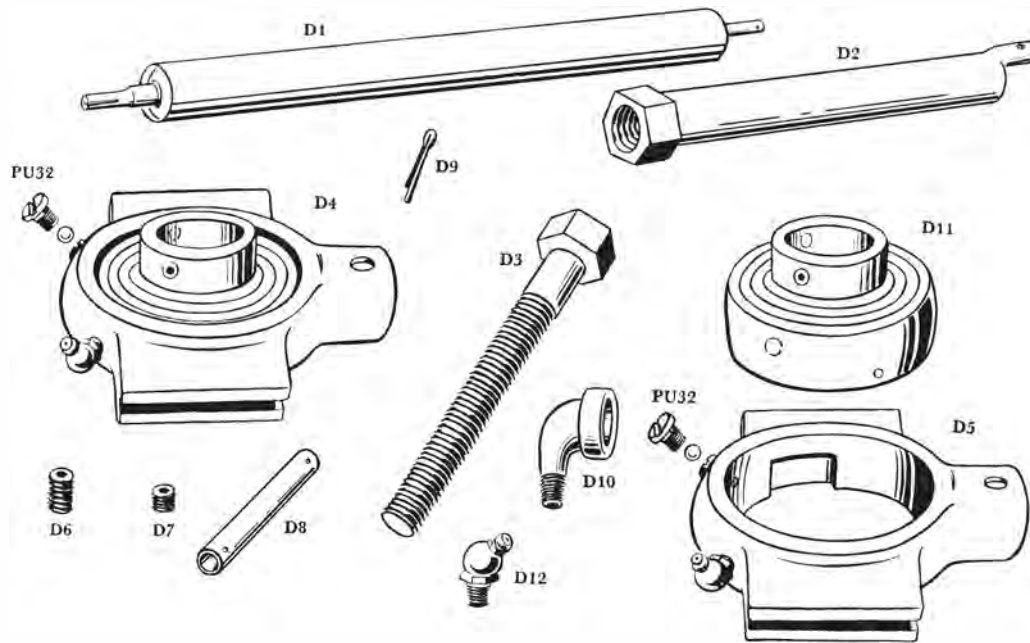
FLAT FLEXIBLE RAMP & PUSH ARM ASSY



FLAT FLEXIBLE RAMP AND PUSH ARM ASSY

Part#	Description	Qty
B1R	SIDE SHIELD FOR SS FLAT RAMP, RIGHT	1
B1L	SIDE SHIELD FOR SS FLAT RAMP, LEFT	1
B2	SS FLAT RAMP SECTION	19
B3	NO. 14 X 3/8" HEX HEAD SELF TAPPING SHEET METAL SCREW	54
B4	RAMP HINGE PIN	1
B5	RAMP HING PIN BOLT 5/8" NF X 1-1/2" HHCS	2
B7	TENSION SPRING	4
B7P	PLUG FOR B7	4
B8	TENSION SPRING ADJ BOLT (1/2" NC X 6" FULL THRD)	4
B9	TOP ADJ PUSH ARM (MALE END ONLY)	2
B10	TOP ADJ PUSH ARM (FEMALE END ONLY)	2
B11	BOTTOM PUSH ARM	2
B12	HYDRAULIC CYLINDER	2
B12K	REPAIR KIT FOR HYDRAULIC CYLINDER	
B13	HYDRAULIC CYLINDER GUIDE TUBE	2
B14	HYDRAULIC CYLINDER MOUNTING BUSHING	2
B15	CYLINDER & GUIDE TUBE MTG BOLT 1/2" NF X 2" HEX HEAD	4
B16	TOP PUSH ARM CLAMP BOLT W/LOCK NUT`	2
M23	PUSH ARM BOLT (3/4" NF X 2-1/2" CP) AND LOCK NUT	8
B18	UNIBALL ROD END	8
B19	SS FLAT RAMP COMPLETE W/SIDE SHIELDS	1
B20	7/8" THREADED SHANK UNIBALL	1
B21	INTERNAL THREAD UNIBALL	1
B22	3/4" JAM NUT	

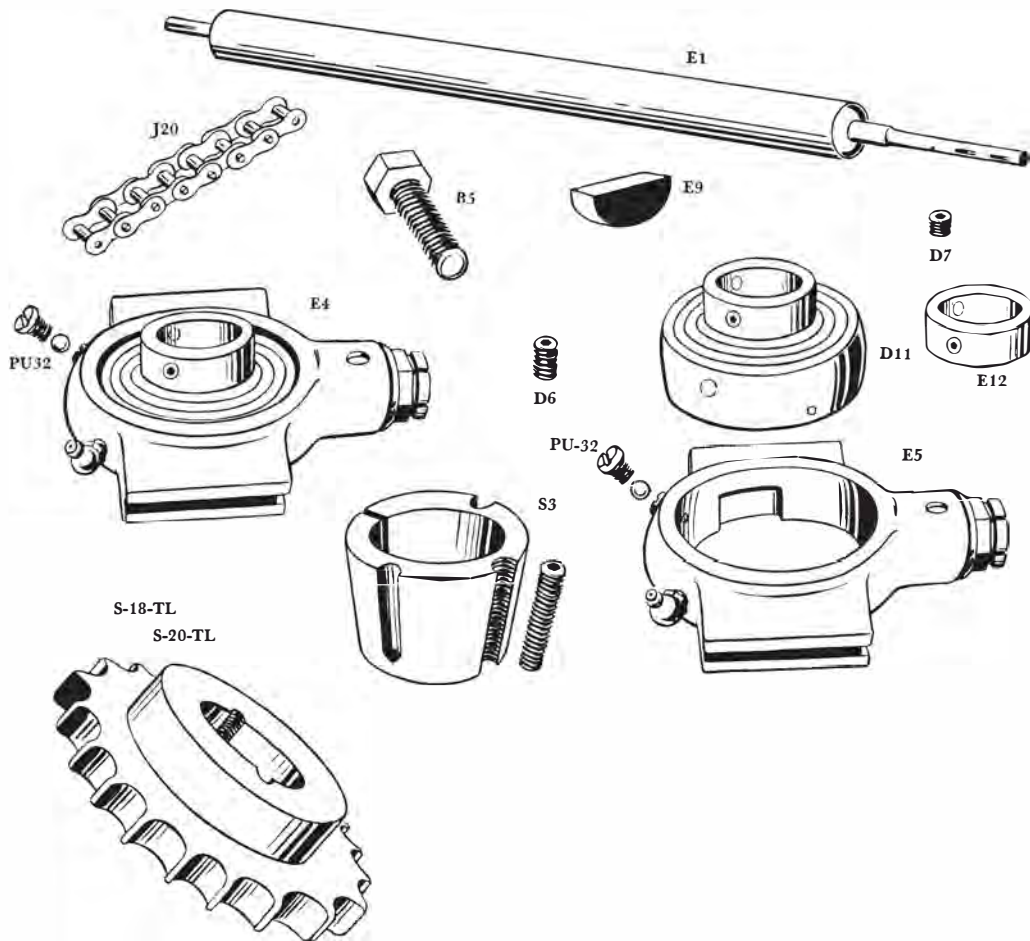
CONVEYOR IDLER ROLL ASSEMBLY



CONVEYOR IDLER ROLL ASSY

Part#	Description	Qty
D1	IDLER ROLL, 1-1/4" SHAFT	1
D2	OFFSET CONVEYOR BELT TIGHTENER TOGGLE	2
D3	ADJ BOLT, 3/4" NC X 6" FULL THREAD	2
D4	1-1/4" DODGE SC TAKE UP UNIT	2
D6	5/16" 24 THREAD SET SCREW	3
D7	5/16" 24 THREAD SET LOCK	3
D8	TIGHTENER TOGGLE PIN	2
D9	TIGHTENER TOGGLE PIN COTTER PIN	4
D10	GREASE LINE TO BEARING UNDER RAMP 1/8" PIPE SIZE	2
D12	1/8" PIPE THRD 67-1/2DEG ZERK FITTING	2
PU32	SET SCREW & BALL	

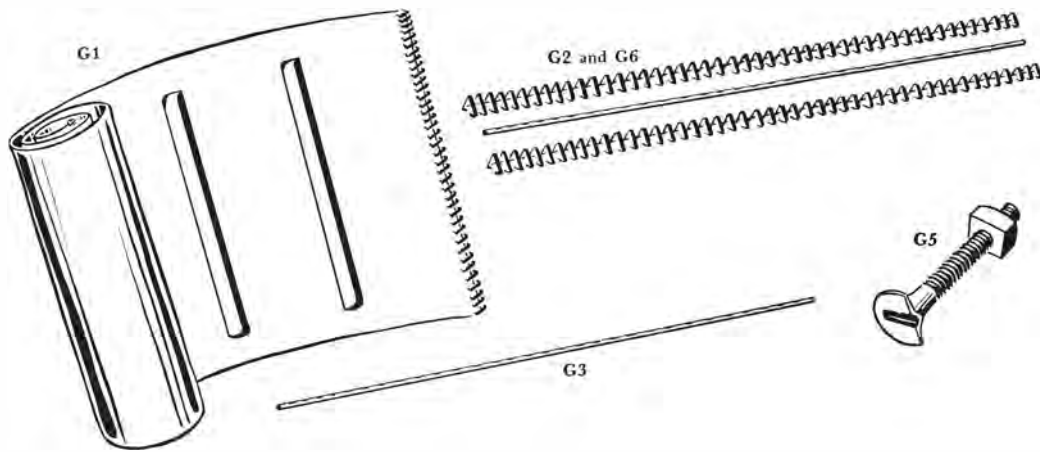
CONVEYOR DRIVE ROLL ASSEMBLY



CONVEYOR DRIVE ROLL ASSY

Part#	Description	Qty
E1	CONVEYOR DRIVE ROLL, 1-1/4" SHAFT	1
J20	ROLLER CHAIN TO DRIVE ROLL (RC60, 28" LONG)	1
B5	BRG ADJ BOLT (5/8" NF X 1-1/2" HHCS)	2
E4	1-1/4" DODGE SC TAKE UP UNIT W/WELDED LOCK NUT	2
E5	HOUSING ONLY W/ WELDED LOCK NUT	2
S18TL	18 TOOTH TAPER LOCK SPKT; NO RC60	1
D6	5/16" 24 THREAD SET SCREW	3
D7	5/6" 24 THREAD SET LOCK	3
E9	1/4" X 7/8" WOODRUFF KEYS	2
S20TL	20 TOOTH TAPER LOCK SPKT; NO RC60	1
D11	1-1/4" SC BRG ONLY	2
S3	1-1/4" TAPER LOCK BUSHING	2
E12	SC LOCK COLLAR FOR PILLOW BLOCK & TAKE UPS	
PU32	SET SCREW & BALL	

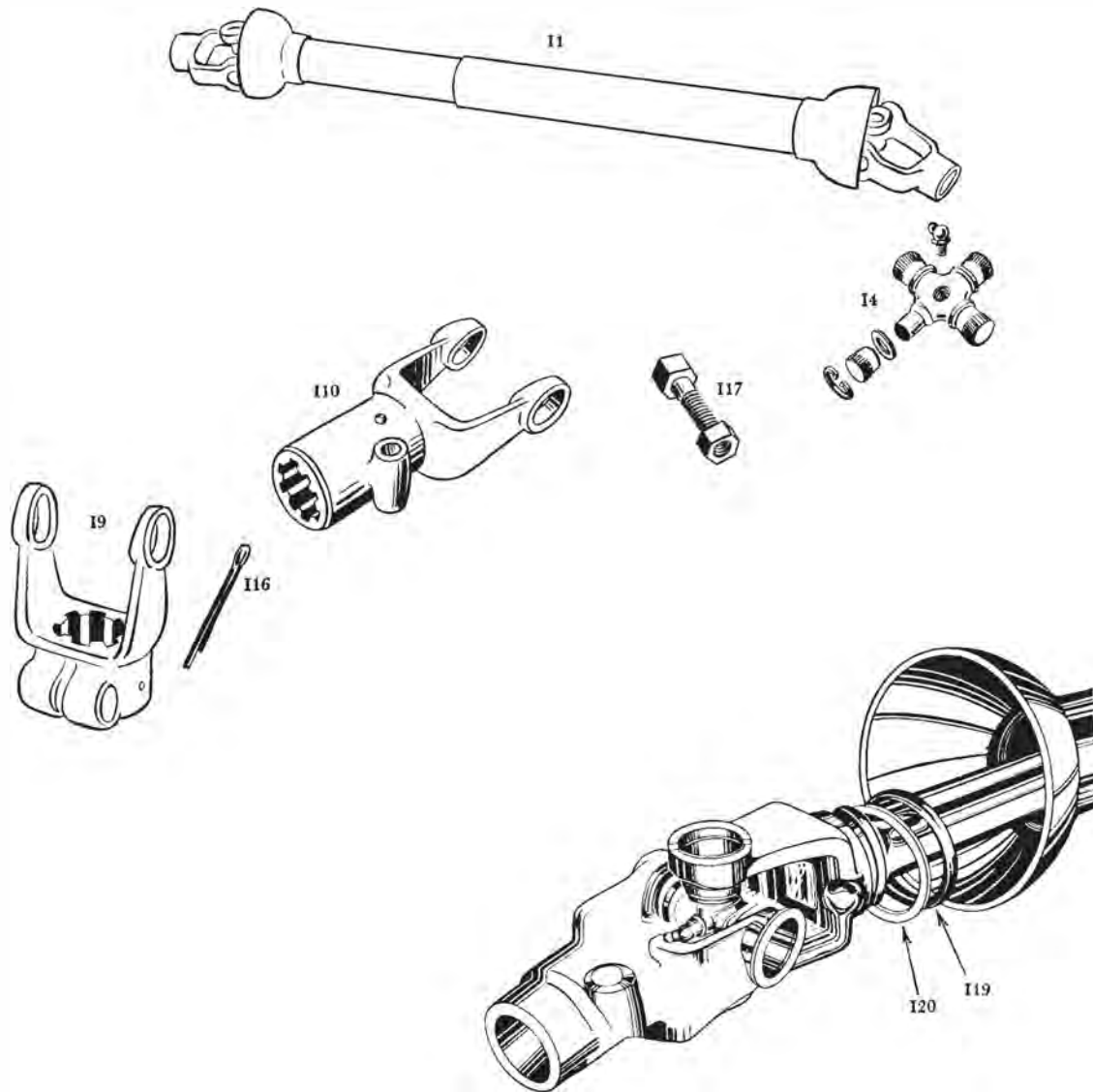
CONVEYOR BELT



CONVEYOR BELT

Part#	Description	Qty
G1	CONVEYOR BELT	1
G2 & G6	ALLIGATOR LACING W/ CONNECTING PIN	1
G3	CONNECTING PIN ONLY	1
G5	HALF HEAD 1/4" X 1-3/4" SLOTTED CORRUGATED HEAD BOLT/NUT	42

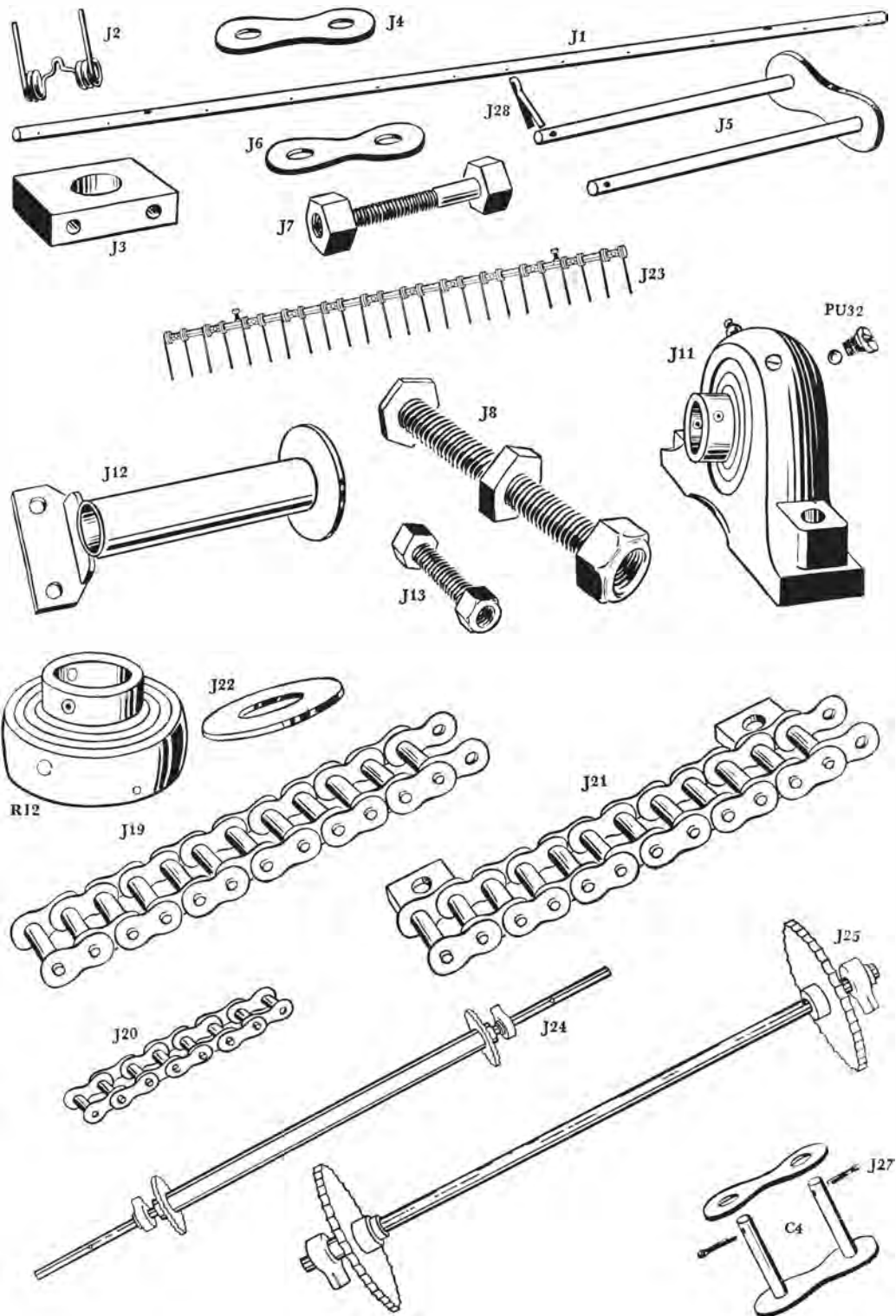
UNIVERSAL ASSEMBLY



UNIVERSAL ASSEMBLIES AND PARTS

Part#	Description	Qty
I1	DRIVELINE COMPLETE	1
I4	UNIVERSAL CROSS REPAIR KIT	2
I9	1-1/8" SPLINED BORE YOKE	1
I10	1-3/8" SPLINED BORE YOKE (QUICK LATCH)	1
I16	COTTER PIN FOR NON LOCKING YOKE	1
I17	CLAMP BOLT FOR 1-1/8" SPLINED YOKE	4
I19	NYLON BEARING ASSY FOR I1	4
I20	THRUST WASHER	1

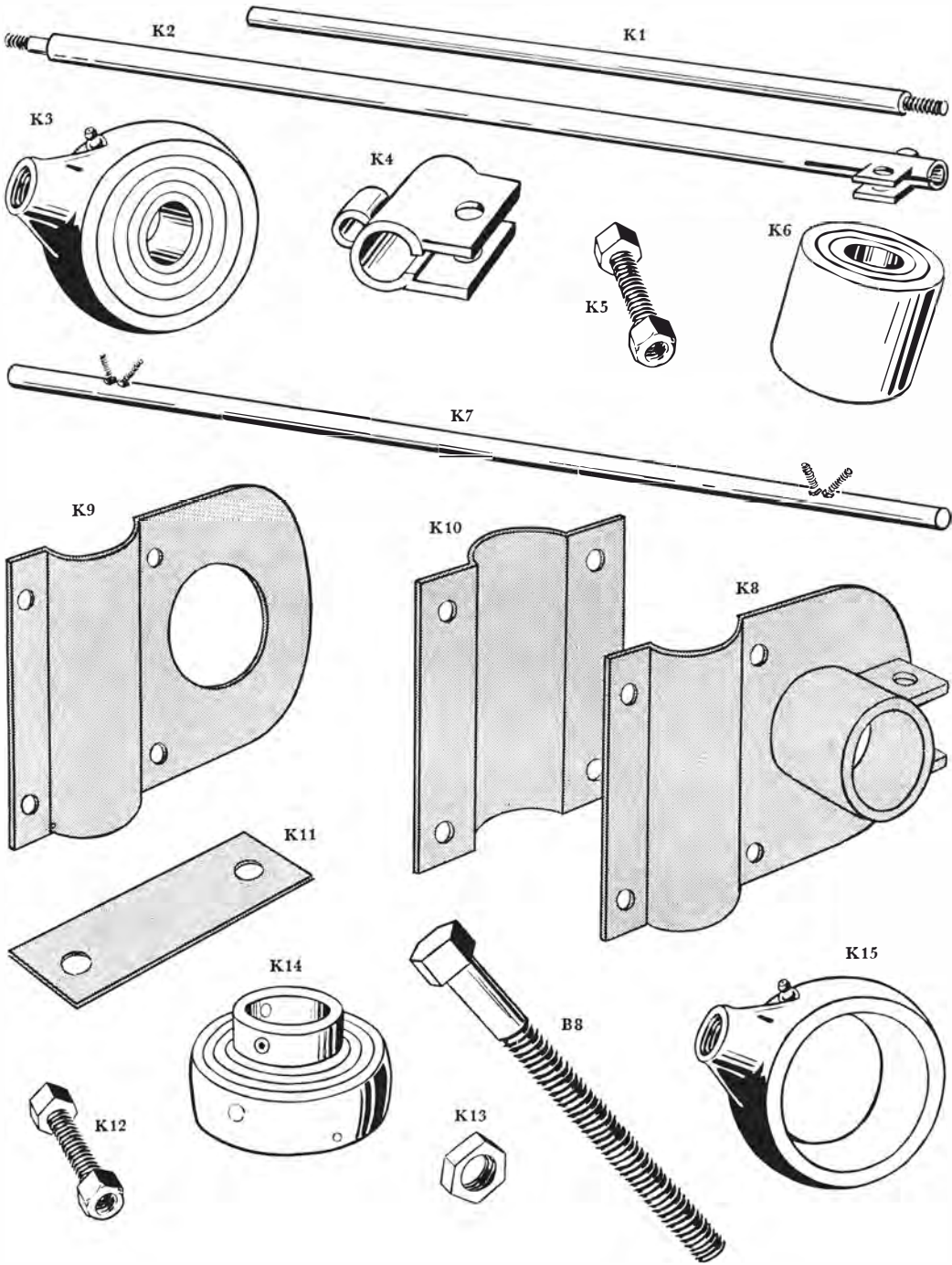
FLIGHT AND CHAIN ASSEMBLY



FLIGHT AND CHAIN ASSY

Part#	Description	Qty
J1	FLIGHT TUBE	16
J2	FLIGHT TUBE SPRING TOOTH	192
J3	FLIGHT CHAIN BLOCK	32
J4	FLIGHT CHAIN LOOSE SPCR PLATE	32
J5	FLIGHT CHAIN DBL CHAIN LINK PIN NO RC80	32
J6	FLIGHT CHAIN TIGHT SIDE PLATE	32
J7	FLIGHT SPRING BOLT	192
J8	FLIGHT CHAIN BLOCK BOLTS	32
J11	PB BRG	2
J12	REAR DRIVE SHAFT SHIELD	2
J13	1/2" NF X 2-1/2" HHCS W/ LOC NUT	4
J19	434 CHAIN NO RC80	
J20	433 CHAIN NO RC60	
J21	434 FLIGHT CHAIN COMPLETE W/BLOCKS NO RC80	
J22	3/8" FLT WSHR	192
J23	FLIGHT TUBE COMPLETE W/TEETH & BOLTS	16
J24	TOP FLIGHT SHAFT COMPLETE W/SPKT & BRG	1
J25	BOTTOM FLIGHT SHAFT COMPLETE W/SPKT & BRG	1
R12	1-7/16" INSERT ONLY	
PU32	BALL & SET SCREW	
J27	COTTER PINS FOR RC60	
J28	COTTER PINS FOR RC80	
J29	9 PITCH LENGTH RC80 CHAIN	
C4	CONNECTOR LINK FOR RC60	

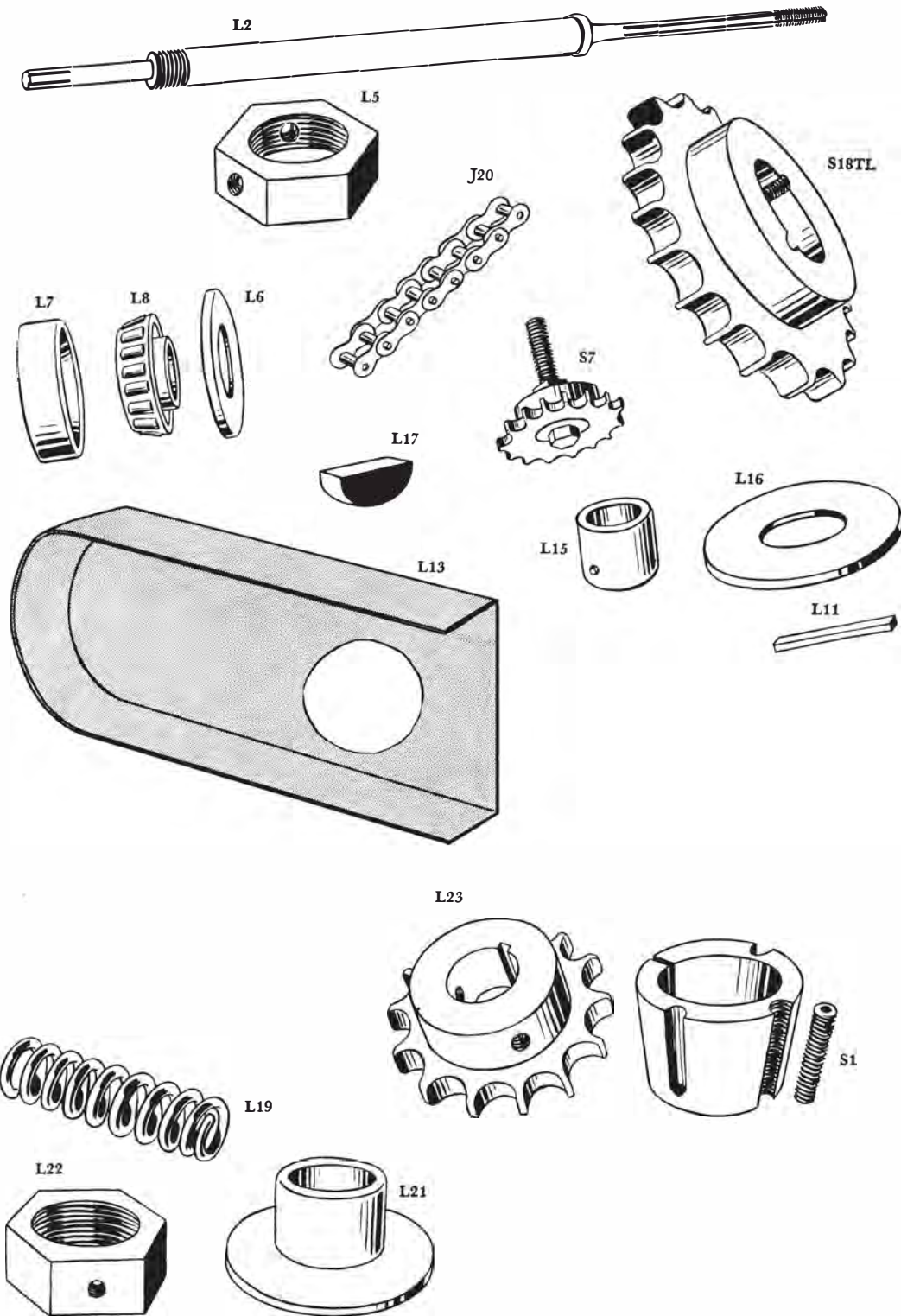
FLIGHT IDLER SHAFT SUPPORT ASSY



FLIGHT IDLER SHAFT SUPPORT ASSY

Part#	Description	Qty
K1	FLIGHT IDLER SHAFT SUPPORT ARM (MALE)	2
K2	FLIGHT IDLER SHAFT SUPPORT ARM (FEMALE)	2
K3	FLIGHT IDLER SHAFT HANGER BRG	4
K4	CHAIN TIGHTENER CLAMP	2
K5	CHAIN TIGHTENER CLAMP BOLT	4
K6	SUPPORT ARM CARRIER BRG AND SHELL ASSY	4
K7	SUPPORT ARM CARRIER BRG TUBE	1
K8	TUBE ADJ BRACKET (CLAMP TYPE)	1
K9	TUBE ADJ BRACKET (PLAIN)	1
K10	TUBE ADJ BRACKET CAP	2
K11	SUPPORT ARM HOLD DOWN STRAP	2
K12	BRACKET CLAMP BOLT	8
K13	1/2" NF HEX JAM NUT	8
K14	HANGER BRG INSERT ONLY	4
K15	HANGER BRG HOUSING ONLY	4
B8	CHAIN TIGHTENER CLAMP PUSH BOLT	2

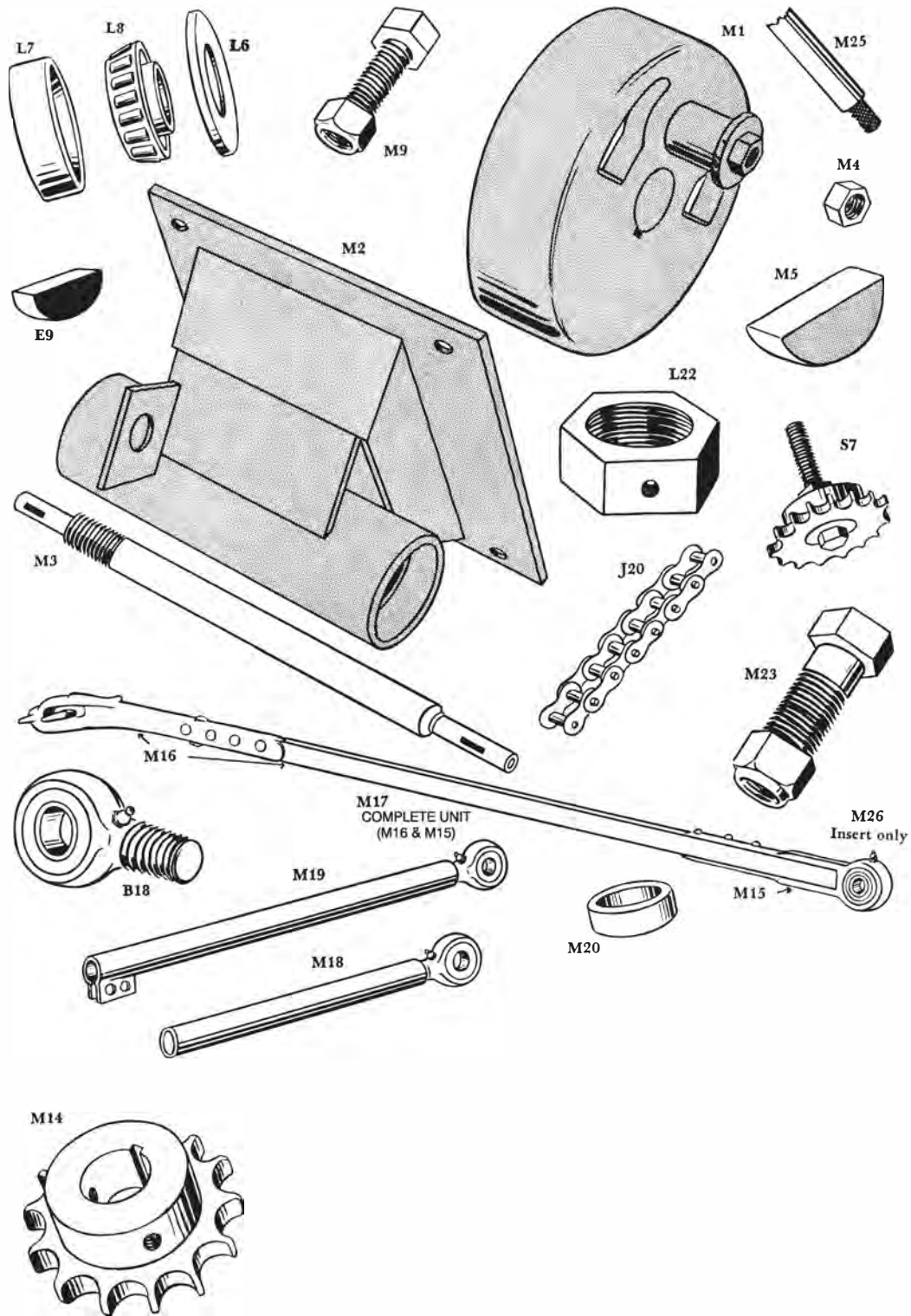
POWER DISTRIBUTION BOX ASSEMBLY



POWER DISTRIBUTION BOX ASSY

Part#	Description	Qty
L2	SHAFT	1
S18TL	FRONT SPROCKETS, RC60	2
L5	BRG ADJUSTING LOC NUT	1
L6	FELT BRG SEAL	2
L7	ROLLER BRG CUP	2
L8	ROLLER BRG CONE	2
J20	ROLLER CHAIN TO MAIN SHAFT NO RC60	1
S7	FRONT IDLER SPKT; 11TOOTH	1
L11	1/4" SQ DRIVE KEY X 1-1/4" L	2
L13	FRONT CHAIN GUARD	1
L15	SAFETY CLUTCH SPKT BUSHING	1
L16	SAFETY CLUTCH SPK BRONZE THRUST COLLAR	1
L17	1/4" X 1" WOODRUFF KEY	1
L19	SAFETY CLUTCH SPRING	1
L21	SAFETY CLUTCH SPRING COLLAR	1
L22	SAFETY CLUTCH SPRING ADJUSTING NUT	1
L23	PUMP DRIVE SPKT 22 TOOTH	1
S18TL	TAPER LOCK BUSHING	2

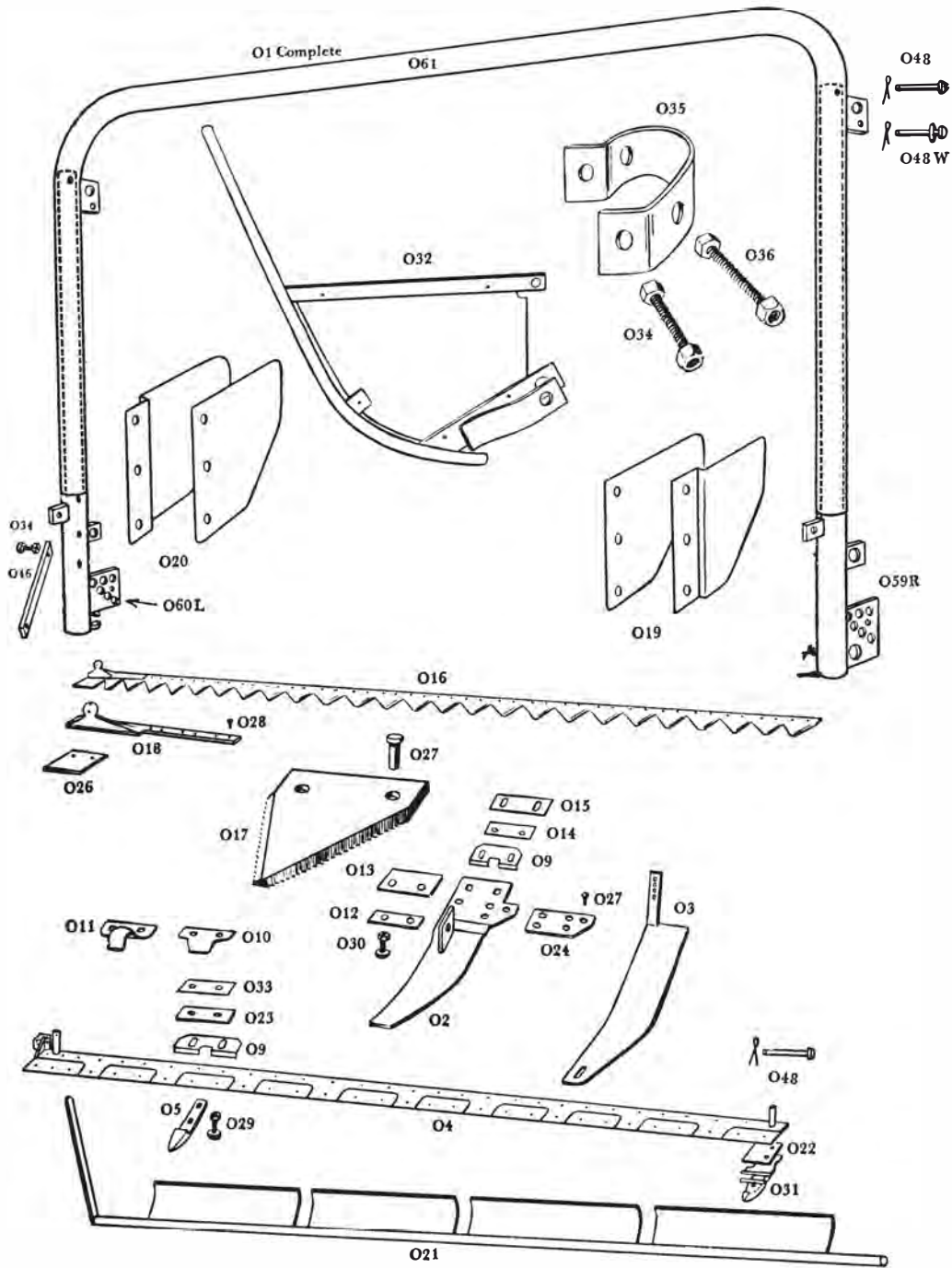
MOWER ASSEMBLY



MOWER ASSY

Part#	Description	Qty
M1	BALANCE WHEEL AND PIN	1
M2	BRG HOUSING W/ WLEDED UNIBALL BRKT	1
M3	MOWER SHAFT	1
M4	BALANCE WHEEL PIN NUT ONLY	1
M5	WOODRUFF KEY FOR BALANCE WHEEL	1
L6	BRG SEAL	1
L7	ROLLER BRG CUP	2
L8	ROLLER BRG CONE	2
M9	MOWR HSG BOLT	4
L22	BRG ADJUSTING NUT	1
S7	IDLER SPKT 11TOOTH	1
J20	ROLLER CHAIN 70" NO RC60	1
M14	MOWER SPKT 14TOOTH	1
M15	PITMAN BRG ASSY ONLY	1
M16	PITMAN WOOD AND STRAP ASSY ONLY	1
M17	PITMAN COMPLETE	1
M18	STABILIZER BAR (MALE)	1
M19	STABILIZER BAR (FEMALE)	1
M20	SEALMASTER PITMNA BRG SPCR	1
E9	1/4" X 7/8" SIZE "A" WOODRUFF KEY	1
B18	UNIBALL ROD END	2
M23	STABILIZER MOUNTING BOLT	2
M25	BALANCE WHEEL PIN	1
M26	1" INSERT FOR PITMAN	1

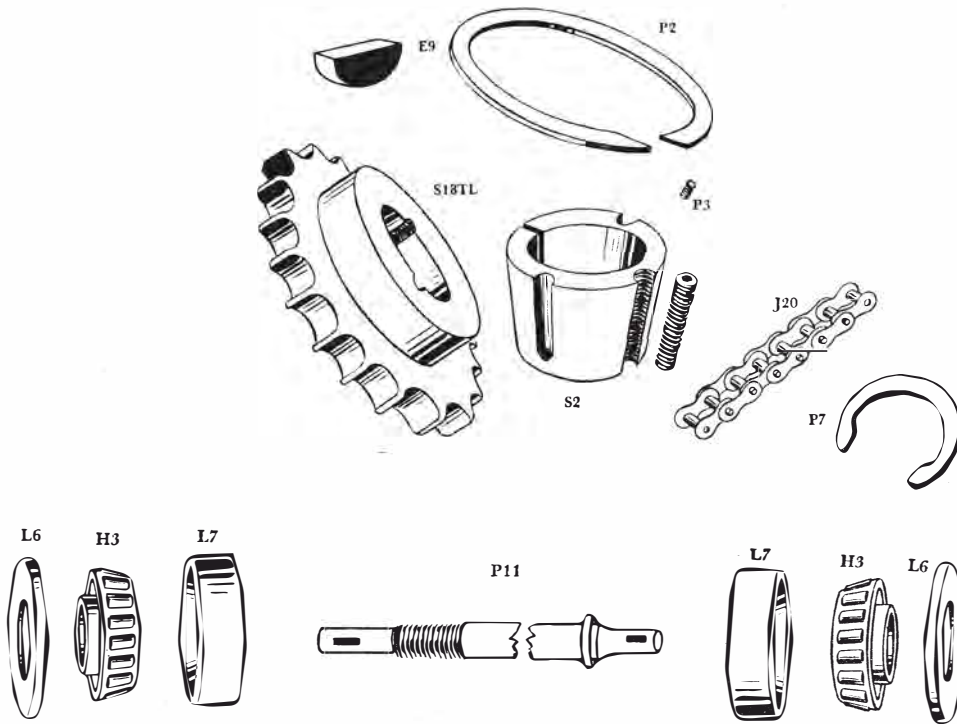
SPINACH & LEAFY GREENS BAR



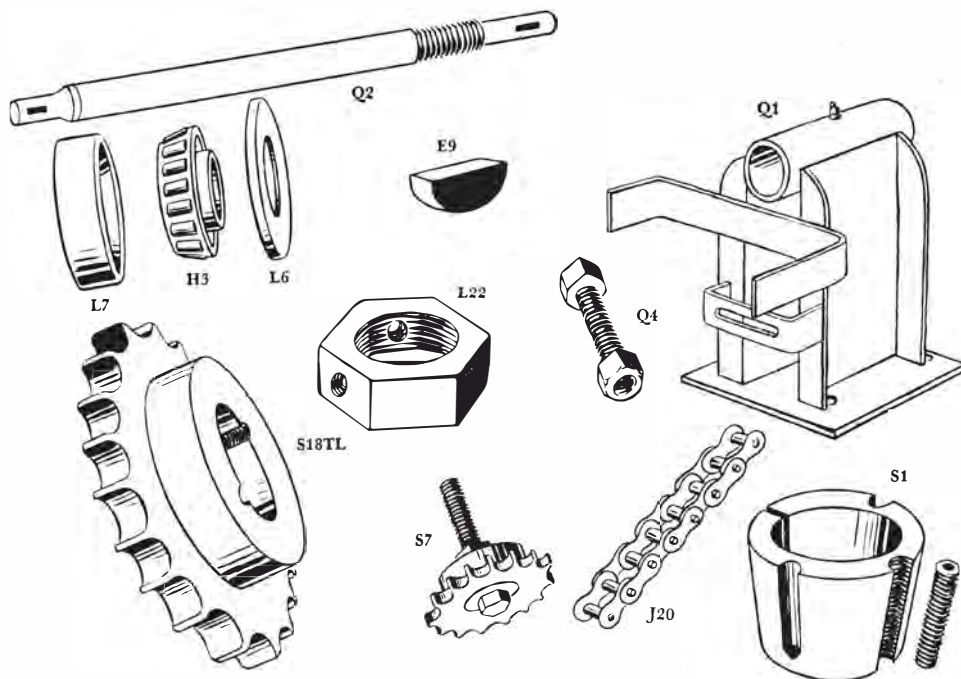
SPINACH & LEAFY GREENS BAR

<i>Part#</i>	<i>Description</i>	<i>Qty</i>
O1	ARCH FRAME TELESCOPIC COMPLETE	1
O2	ARCH SHOE W/ SHEAR PLATE	1
O3	WEAR SHOE	1
O4	SPINACH CUTTER BAR (BAR ONLY)	1
O5	STUB GUARD	24
O8	SPINACH BAR COMPLETE W/GUARDS	1
O9	WEAR PLATE	9
O10	STD HOLD DOWN CLIP	7
O11	HIGH ARCH HOLD DOWN CLIP	1
O12	FRONT SICKLE HEAD HOLD DOWN PLATE SPCR	1
O13	FRONT SICKLE HEAD HOLD DOWN PLATE	1
O14	REAR SICKLE HEAD HOLD DOWN PLATE SPCR	1
O15	SPACER PLATE	1
O16	SICKLE KNIVES W/ UNDER SERRATED SECTIONS	1
O17	SERRATED KNIFE SECTIONS	25
O18	SICKLE HEAD W/ WELDED BALL	1
O19	ARCH SHIELD SET (RIGHT HAND)	1
O20	ARCH SHIELD SET (LEFT HAND)	1
O21	CLUSTER SHOE ASSY	1
O22	SPACER	1
O23	HOLD DOWN CLIP SPACER	8
O24	RIGHT SHOE SHEAR PLATE	1
O26	BLANK SECTION KNIFE HEAD	1
O27	SECTION RIVETS	1LB BOX
O28	SICKLE HEAD RIVETS	1LB BOX
O29	STUB GUARD BOLT	47
O30	CARRIAGE BOLT W/NUT	2
O31	DIVIDER MOUNTING GUARD	4
O32	CROP DIVIDER	1
O34	3/8" NF X 1" HHCS W/LOC NUT	30
O35	DIVIDER MOUNTING BRACKET	7
O36	NUT	1
O46	ARCH TO CUTTER BAR TIE STRAP	1
O59R	BOTTOM SECTION OR ARCH - RIGHT	1
O60L	BOTTOM SECTION OF ARCH - LEFT	1
O61	TOP SECTION OF ARCH	1
O48	PIN & COTTER KEY	7
O48W	WASHER PIN	7

MAIN SHAFT ASSEMBLY



POWER TRANSFER UNIT



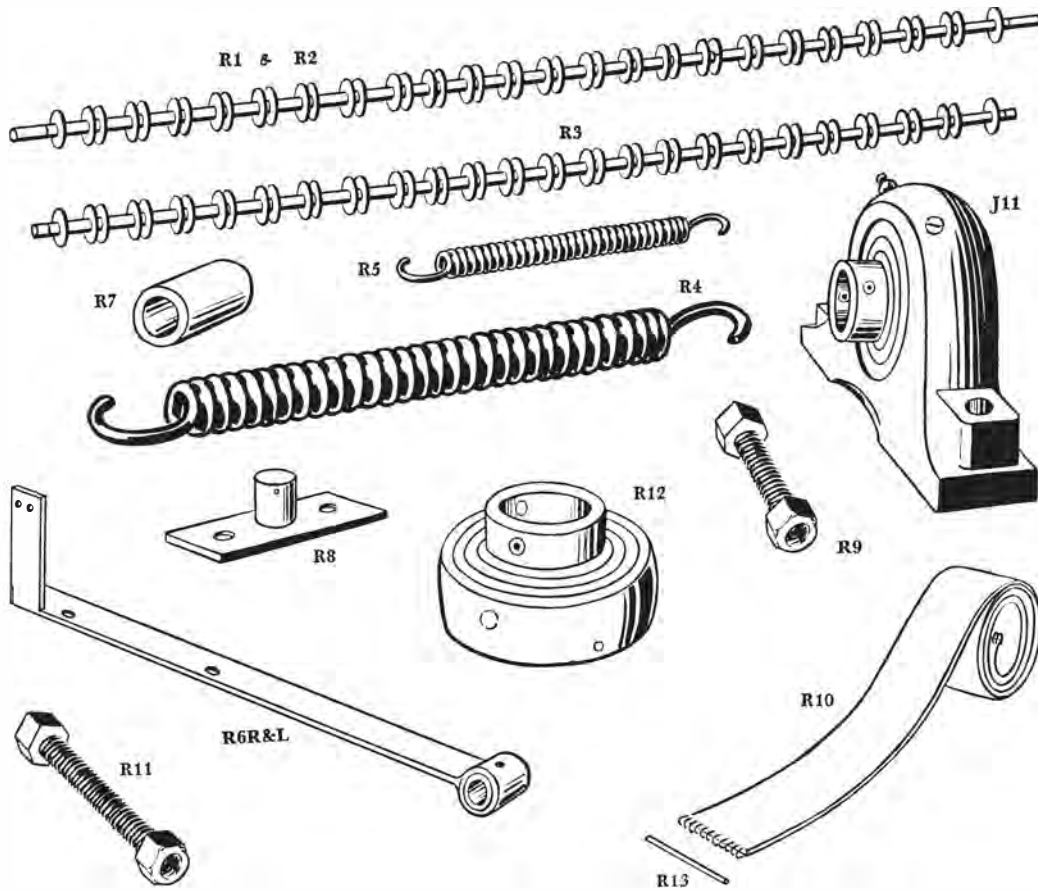
MAIN SHAFT ASSY

Part#	Description	Qty
P2	INSERT BRG SNAP RING	2
P3	INSERT BRG SET SCREWS	4
S18TL	SPROCKET 18TOOTH	2
J20	ROLLER CHAIN NO RC60	1
P7	MAIN SHAFT SNAP RING	1
E9	WOODRUFF KEY	3
S2	TAPER LOCK BUSHING	2
P11	MAIN SHAFT	1
L6	BRG SEAL	2
L7	ROLLER BRG CUP	2
H3	TAPER ROLLER BRG	2

POWER TRANSFER UNIT

Part#	Description	Qty
Q1	HOUSING ONLY	1
Q2	DRIVE SHAFT	1
L7	ROLLER BRG CUP	2
H3	TAPER ROLLER BRG	2
L6	BRG SEAL	2
Q4	1/2" NF X 1-1/4" HHCS W/LOC NUT	4
J20	ROLLER CHAIN RC60	1
L22	BRG ADJUSTING NUT	1
E9	WOODRUFF KEY	2
S18TL	SPROCKET 18TOOTH	1
S1	TAPER LOCK BUSHING	2
S7	IDLER SPROCKET COMPLETE 11TOOTH	1

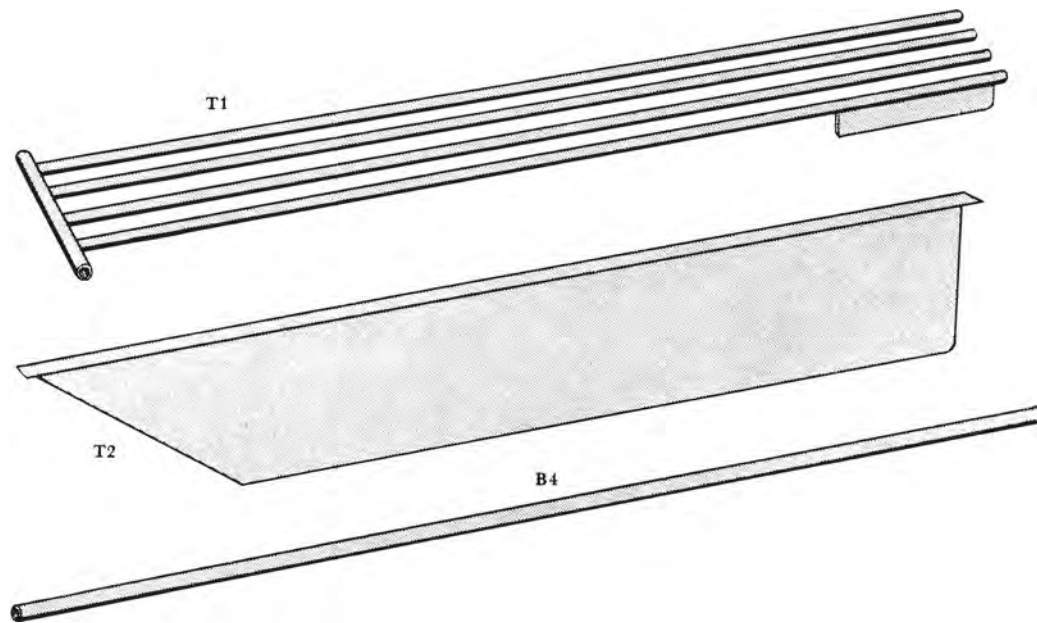
STRIPPER BELT & GUIDE ROLL ASSY



STRIPPER BELT AND GUIDE ROLL ASSY

Part#	Description	Qty
R1	UPPER GUIDE ROLL or WASHER ROLL	1
R2	LOWER GUIDE ROLL or WASHER ROLL	1
R3	SPRING TENSION GUIDE ROLL or WASHER ROLL	1
J11	PILLOW BLOCK	8
R4	MAIN TENSION SPRING 1-7/16 X 14"	2
R5	AUXILIARY TENSION SPRING	2
R6R	TENSION ARM, RIGHT	1
R6L	TENSION ARM, LEFT	1
R7	TENSION ARM BUSHING	2
R8	TENSION ARM MOUNTING PEG	2
R9	MOUNTING PEG BOLT	4
R10	STRIPPER BELT 2" 4PLY X 17"	23/26
R11	PILLOW BLOCK BOLT	16
R12	PILLOW BLOCK INSERT ONLY	8
R13	STRIPPER BELT LACE PIN	

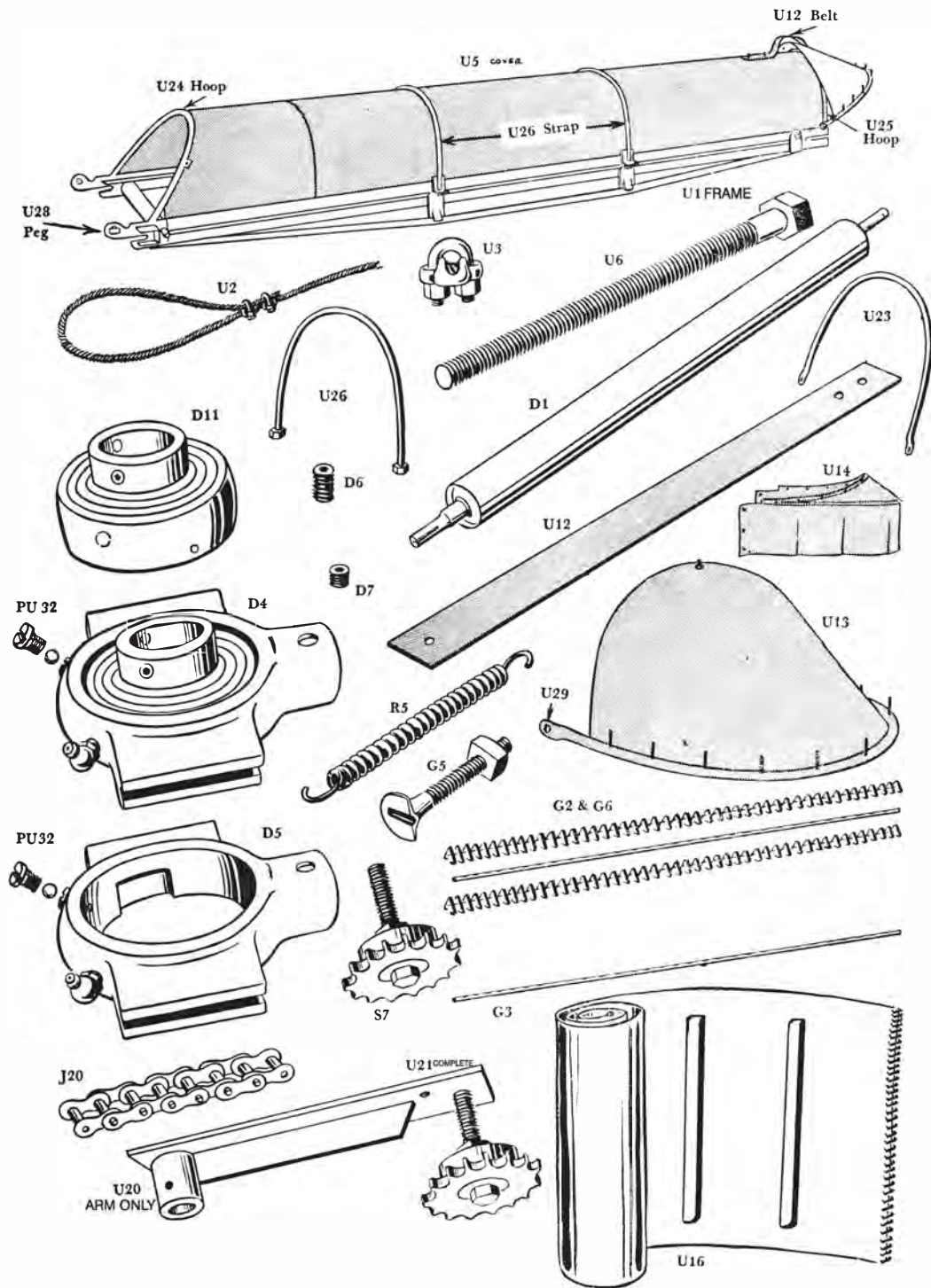
TUBULAR RAMP ASSEMBLY



TUBULAR RAMP ASSY

Part#	Description	Qty
T1	4 BAR SECTION	9
T2	ALUMINUM SIDE SHIELD	2
T3	RAMP COMPLETE, LESS PIN	1
B4	RAMP HINGE PIN	1

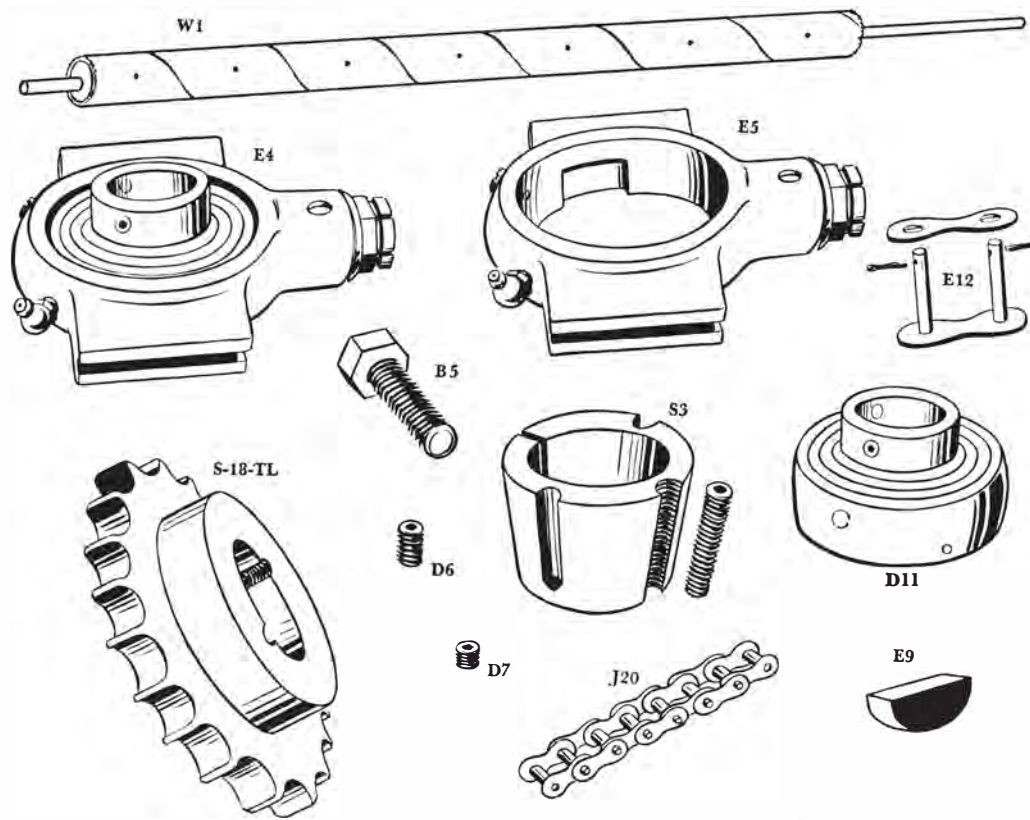
ELEVATOR ASSEMBLY



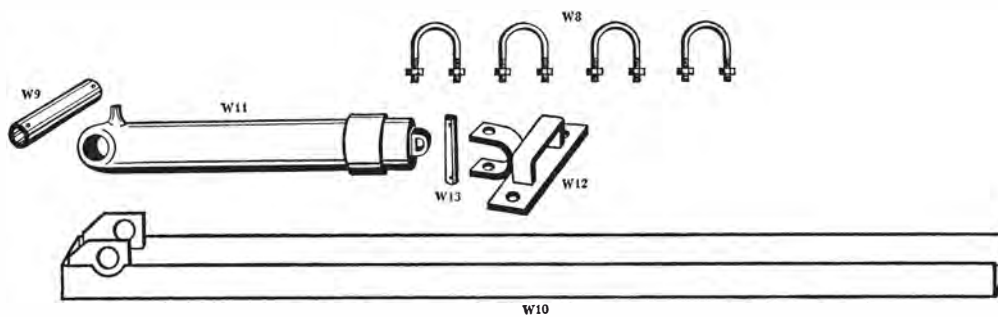
ELEVATOR ASSEMBLY

Part#	Description	Qty
U1	ELEVATOR FRAME	1
U2	ELEVATOR CABLE	2
U3	ELEVATOR CABLE CLAMP	2ea.
U5	ALUMINUM COVER	1
D1	IDLER ROLL	1
D4	1-1/4" TAKE UP UNIT	2
D5	BRG HOUSING ONLY	2
D11	BRG ONLY	1
D6	5/16" 24 THREAD SET SCREW	6
D7	5/16" 24 THREAD SET LOCK	6
U6	IDLER ROLL ADJ BOLT	2
U12	ELEVATOR HOOD LIMIT BELT	1
U13	ELEVATOR HOOD ONLY	1
U14	ELEVATOR HOOD DRAPE	1
U16	ELEVATOR BELT COMPLETE	1
G2 & G6	ALLIGATOR LACING W/CONN PIN	1
G3	CONN PIN ONLY	1
G5	HALF HEAD ELEVATOR BOLT	72
U20	ELEVATOR CHAIN TIGHTENER ARM ONLY	1
U21	ELEVATOR CHAIN TIGHTENER ARM COMPLETE W/SPKT	1
R5	ELEVATOR CHAIN TIGHTENER SPRING	1
J20	ELEVATOR DRIVE CHAIN RC60	1
U23	HOOP FOR 714 CANVASS	1
U24	BOTTOM HOOP	1
U25	TOP HOOP	1
U26	HOOD CLAMP STRAP	2
U27	ELEVATOR BRKT TO WELD ON FRAME	2
U28	ELEVATOR QUICK TOGGLE PEGS	2
PU32	BALL & SET SCREW	1
U20	HOOD RING W/BOLTS	1
S7	IDLER SPKT 11TOOTH	1

ELEVATOR DRIVE ROLL ASSEMBLY



HYDRAULIC LIFT FOR ELEVATOR



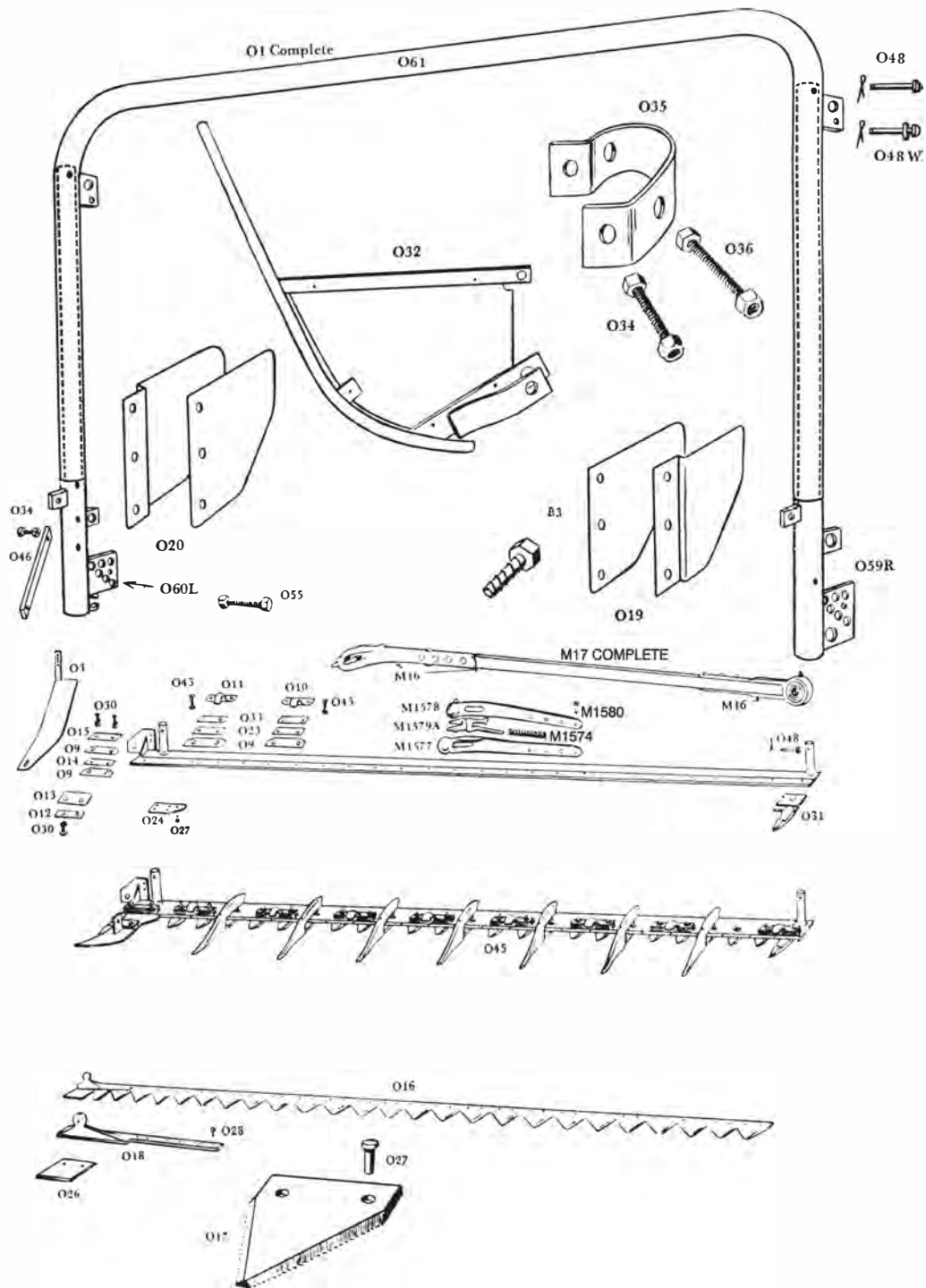
ELEVATOR DRIVE ROLL ASSEMBLY

Part#	Description	Qty
W1	LAGGED DRIVE ROLL	1
E4	1-1/4" TAKE UP UNIT W/ WELDED NUT	2
E5	HOUSING ONLY FOR TAKE UP UNIT	2
D6	5/16" 24 THREAD SET SCREW	6
D7	5/61" 24 THREAD LOCK SET	6
E9	WOODRUFF KEY	2
D11	1-1/4" BRG ONLY FOR TAKE UP UNIT	2
S18TL	SPROCKET 18TOOTH	1
S3	1-1/4" TAPER LOCK BUSHING	1
J20	ROLLER CHAIN RC60	1
B5	TAKE UP UNIT ADJ BOLT	2
E12	BRG LOCK COLLAR	14
W2	4 PLY LAGGING FOR DRIVE ROLL	

HYDRAULIC LIFT FOR ELEVATOR

Part#	Description	Qty
W8	U-BOLTS	4
W9	PIN FOR CYLINDER	1
W10	CHANNEL FRAME	1
W11	3 STAGE CYLINDER	1
W12	PUSH YOKE	1
W13	PUSH YOKE PIN	

ARCH ASSEMBLY



ARCH ASSEMBLY

Part#	Description	Qty
B3	NO 14 X 3/8" HEX HEAD SELF TAPPING SHEET METAL SCREW	6
O1	ARCH FRAME COMPLETE	1
O9	WEAR PLATE	9
O10	STD HOLD DOWN CLIP	7
O11	HIGH ARCH HOLD DOWN CLIP	1
O12	FRONT SICKLE HEAD HOLD DOWN PLATE SPCR	1
O13	FRONT SICKLE HEAD HOLD DOWN PLATE	1
O14	REAR SICKLE HEAD HOLD DOWN PLATE SPCR	1
O15	REAR SICKLE HEAD HOLD DOWN PLATE	1
O16	SICKLE KNIFE W/UNDERSERRATED SECTION	1
O17	SERRATED KNIFE SECTIONS	25
O18	SICKLE HEAD W/ WELDED BALL	1
O19	ARCH SHIELD SET, RIGHT HAND	1
O20	ARCH SHIELD SET, LEFT HAND	1
O23	HOLD DOWN CLIP SPCR	8
O24	RIGHT SHOE SHEAR PLATE	1
O25	SHEAR PLATE RIVETS	1LB BOX
O26	BLANK SECTION KNIFE HEAD	1
O27	SECTION RIVETS	1LB BOX
O28	SICKLE HEAD RIVETS	1LB BOX
O30	SICKLE HEAD HOLD DOWN PLATE BOLT	4
O31	DIVIDIER MOUNTING GUARD	1
O32	CROP DIVIDER	1
O33	HOLD DOWN CLIP SHIMS	30
O34	3/8 NV X 1" HHCS W/ LOC NUT	8
O35	DIVIDER MOUNTING BRKT	1
O36	BRACKET BOLT	1
O43	STUB GUARD BOLT	17
O46	ARCH TO CUTTER BAR TIE STRAP	1
O48	CUTTER BAR PIN	2
O48W	WASHERED PIN	1
O55	CLAMP BOLT	1
O59R	BOTTOM SECTION OR ARCH RIGHT	1
O60L	BOTTOM SECTION OF ARCH LEFT	1
O61	TOP SECTION OF ARCH	1
M15	PITMAN BRG ASSY ONLY	1
M16	PITMAN WOOD AND STRAP ASSY ONLY	1
M17	PITMAN COMPLETE W/ BRGS	1
M1578	RIGHT HAND PITMAN STRAP	1
M1577	LEFT HAND PITMAN STRAP	1
M1579A	PITMAN LATCH	1
M1574	PITMAN SPRING	1
M1580	PITMAN BOLT & NUT	4

SPROCKETS AND TAPER LOCK BUSHINGS

<i>Part#</i>	<i>Description</i>	<i>Qty</i>
S14TL	14 TOOTH TAPER LOCK SPROCKET NO RC60	
S15TL	15 TOOTH TAPER LOCK SPROCKET NO RC60	
S17TL	17 TOOTH TAPER LOCK SPROCKET NO RC60	
S18TL	18 TOOTH TAPER LOCK SPROCKET NO RC60	
S19TL	19 TOOTH TAPER LOCK SPROCKET NO RC60	
S20TL	20 TOOTH TAPER LOCK SPROCKET NO RC60	
S22TL	22 TOOTH TAPER LOCK SPROCKET NO RC60	
M14	14 TOOTH STRAIGHT 1-1/8" BORE SPKT; 1/4" KEYWAY; RC60	
L14	20 TOOTH SAFETY CLUTCH SPKT W/BUSHING NO RC60	
S1	1215S TAPER LOCK BUSHING; 1-1/8" BORE; 1/4" KEYWAY	
S2	1215S TAPER LOCK BUSHING; 1-3-16" BORE; 1/4" KEYWAY	
S3	1215S TAPER LOCK BUSHING; 1-1/4" BORE; 1/4" KEYWAY	
S7	11 TOOTH IDLER SPKT COMPLETE W/BRGS, BOLT, NUT, LOC NUT	
S9	5/8" CP WROUGHT WSHR	
S10	5/8" NF X 3" HHCS	
S11	5/8" NF JAM NUT	
S12	5/8" NF LOCK NUT	