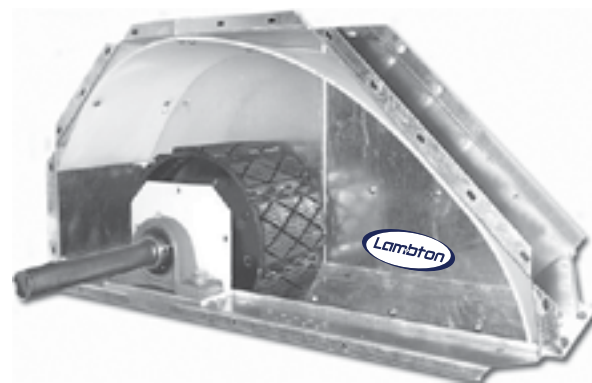


BUCKET ELEVATORS

BUCKET ELEVATORS



HEAD



Standard Features

- CNC designed and manufactured
- 10 gauge galvanized construction
- 1/4" thick UHMW CAD designed curved head line with easy replacement
- Heavy duty pillow block roller bearings with vertical and horizontal adjustments
- Turned, ground and polished shaft
- 14 gauge head cover splits for easy removal and inspection
- Inspection door on both sides of head
- Dust protection at shaft opening
- Ladder section on head unit
- No welding or torch cutting on head assembly
- Replaceable head pulley lagging

Standard Features

- CNC designed and manufactured
- 10 - 14 gauge bolted construction
- Removable side panel for inspection
- Flanges weld to trunking using only silicon-bronze MIG wire to prevent corrosion and extend the useful life of the bucket elevator
- Double legged trunking assemblies are used for quicker assembly of the bucket elevator.
- Standard PVC Belting with Rubber Belting as an option
- Poly buckets are also standard; other options available upon request

TRUNK



Standard Features

- CNC designed and manufactured
- 10 and 8 gauge galvanized construction
- Heavy duty pillow block ball bearings
- 1-1/2" Die springs on each belt take-up assembly, ensure proper tensioning of belt for better traction and longer life.
- Turned, ground and polished shaft
- 13" Belt Adjustment for easy installation
- Dust protection at shaft opening
- Rod slatted and crowned pulley
- No welding or torch cutting on assembly

BOOT



One Source. One Solution.



Optional Features

Auto Grease Bearings

It ensures that your bearings always have proper amount of lubricant while you remain safely on the ground.



Motion Sensor

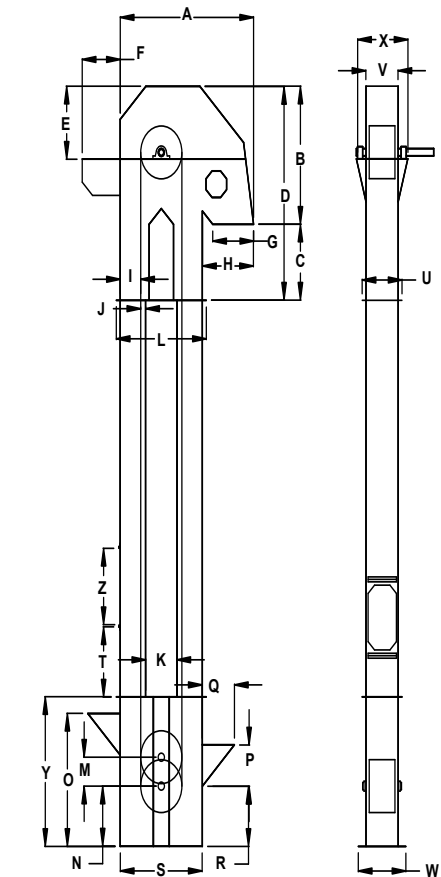
It monitors the boot shaft RPM to ensure that the bucket elevator is running to its full capacity. It may be programmed to shut down equipment if it senses a reduction in the boot shaft speed.



Standard buckets

They are constructed of a durable non-sparking polyethylene. Optional steel, nylon or urethane buckets also available.

MODEL #	BPH	TPH	MTPH
GLC-05-4X3-08	225	6.3	5.7
GLC-05-4X3-07	255	7.1	6.5
GLC-05-4X3-06	300	8.4	7.6
GLC-05-4X3-05	360	10.1	9.1
GLC-05-4X3-04	450	12.6	11.4
GLC-09-6X4-06	750	21	19.1
GLC-09-6X4-05	900	25.2	22.9
GLC-16-9X5-12	1,550	43.4	39.4
GLC-16-9X5-09	2,100	58.8	53.3
GLC-16-9X5-06	3,100	86.8	78.7
GLC-24-9X6-08	3,400	95.2	86.4
GLC-24-9X6-07	3,900	109.2	100
GLC-24-11X7-09	5,000	140	127
GLC-24-11X7-08	5,700	159.6	144.8
GLC-30-9X6-10	3,000	84	76.2
GLC-30-9X6-09	3,400	95.2	86.4
GLC-30-9X6-08	3,800	106.4	96.5
GLC-30-9X6-07	4,400	123.2	111.7
GLC-30-11X7-10	5,200	145.6	132
GLC-30-11X7-09	5,700	159.6	144.8
GLC-30-11X7-08	6,500	182	165
GLC-36-12X7-11	5,900	165.2	149.8
GLC-36-12X7-10	6,400	179.2	162.5
GLC-36-12X7-09	7,000	196	177.7
GLC-36-12X7-08	8,000	224	203
GLC-36-12X8-9.5	9,000	252	228.6
GLC-36-12X8-8.5	10,000	280	254
GLC-42-16X8-12	10,000	280	254
GLC-42-16X8-10	12,000	336	304.7
GLC-42-16X8-09	13,500	378	342.8
GLC-42-18X8-10	13,900	389	353
GLC-42-18X8-8.5	16,300	459	416.5
GLC-42-20X8-8.5	18,400	515	467.3
GLC-42-20X8-07	20,000	560	507.9
GLC-42D-16X8-10	24,000	672	609.5
GLC-42D-16X8-09	27,000	756	685.7
GLC-42D-18X8-8.5	32,000	896	812
GLC-42D-20X8-8.5	36,000	1,008	914
GLC-42D-20X8-07	40,000	1,120	1,015



* CAPACITIES ARE EXAMPLES BASED ON CENTRIFUGAL DISCHARGE SPEEDS FOR WHOLE GRAINS.
 * CAPACITIES ARE BASED ON 56# SHELLED CORN OR GRAIN SORGHUM @ 15.5% MOISTURE.
 * SLOW CENTRIFUGAL AND GRAVITY DISCHARGE SPEED CAPACITIES ARE AVAILABLE UPON REQUEST.



TOWERS & PLATFORMS

Lambton ladders and platforms allow easy access up your equipment with optional safety cage, rest platforms, work platforms and head platforms. Each platform includes a full hand rail set as well as a large swing door in the floor for fall prevention.



DIMENSION	2 ROWS OF BUCKETS												
	05 - 4X3	09 - 6X4	16 - 9X5	24 - 9X6	24 - 11X7	30 - 9X6 / 11X7	36 - 12X7 / 12X8	42 - 16X8	42 - 18X8 / 20X8	42D - 16X8	42D - 18X8	42D - 20X8	
A	27	42	52	60	69 1/2	88 1/4	95 3/4	109 1/4	109 1/4	109 1/4	109 1/4	109 1/4	
B	28	38	42	51 3/4	63	77 3/4	77 3/4	94 1/4	94 1/4	94 1/4	94 1/4	94 1/4	
C	0	0	23	19	14 3/4	3 3/16	6 1/2	0	0	0	0	0	
D	28	38	65	70 3/4	77 3/4	80 15/16	83 3/4	94 1/4	94 1/4	94 1/4	94 1/4	94 1/4	
E	13	16	19 3/4	N/A	N/A	N/A	N/A	83	83	83	83	83	
F	12	14 3/4	14 1/4	N/A	N/A	N/A	N/A	N/A	N/A	N/A	N/A	N/A	
G	8 1/2	9 1/2	13	13 1/2	13 1/2	19	19	18 5/8	18 5/8	18 5/8	18 5/8	18 5/8	
H	12 5/8	17 1/2	17	16 3/4	23	34 3/16	34 3/16	39 7/16	39 7/16	39 7/16	39 7/16	39 7/16	
I	14	21 5/8	9	9	11 1/4	11 1/4	12	14	14	14	14	14	
J	11/8	1 1/2	7/8	7/8	7/8	7/8	7/8	13/4	13/4	13/4	13/4	13/4	
K	N/A	N/A	12 1/4	20 1/4	18 1/4	26 1/4	32 1/4	38 1/4	38 1/4	38 1/4	38 1/4	38 1/4	
L	16 1/2	24 1/2	36	44	46 1/2	54 1/8	62	70	70	70	70	70	
M	4	7	8 3/4	8 3/4	8 3/4	12	12	12	12	12	12	12	
N	12	11 1/2	18 1/4	18 1/4	21 1/2	24 3/4	27	23	23	23	23	23	
O	20 7/8	25 3/8	39	39	41 1/2	52 3/4	55	52	52	52	52	52	
P	6	12	12	12	12	16	17	17	17	17	17	17	
Q	6	12	12	12	12	16	17	17	17	17	17	17	
R	14 7/8	17 1/4	18 1/4	18 1/4	20 3/4	24 3/4	27	23	23	23	23	23	
S	15	22	32	40	43 3/4	50 13/16	58	70	70	70	70	70	
T	N/A	12	12	12	12	12	12	12	12	12	12	12	
U	8 1/2	11 3/4	15 1/2	15 1/2	18	18	21	23	29 3/4	44	48	52	
V	6	9	12 1/2	12 1/2	15	15	17	20	26	39 5/8	43 5/8	47 5/8	
W	9	12	16 1/2	18 1/2	20	20	23 3/4	27 1/2	35 1/2	47 3/16	51 3/16	55 3/16	
X	12 1/2	16	20	20	24 1/4	24 1/4	30 1/4	33 1/4	41 1/4	54 11/16	58 11/16	62 11/16	
Y	60 or 120	33 1/2	45 1/4	45 1/4	45 1/4	56 5/8	56 5/8	65 1/2	65 1/2	65 1/2	65 1/2	65 1/2	
Z	36	36	36	36	36	36	36	36	36	36	36	36	

ALL DIMENSIONS ARE IN INCHES; INTENDED FOR LAYOUT PURPOSES ONLY AND ARE SUBJECT TO CHANGE WITHOUT NOTICE.

Our other range of products include



For more details you can go on www.lambtonconveyor.com or contact Lambton headquarters at +1 (519) 627 8228.

www.lambtonconveyor.com

Lambton is a trademark of Lambton Conveyor Limited

Lambton Conveyor Limited
 102 Arnold Street, Wallaceburg, Ontario, Canada, N8A 3P4
 Tel: +1 519.627.8228 Toll Free: +1 888.239.9713 (North America)
 Fax: +1 519.627.0250 Email: sales@lambtonconveyor.com

All specifications and designs are subject to change without notice due to continuous product improvement.